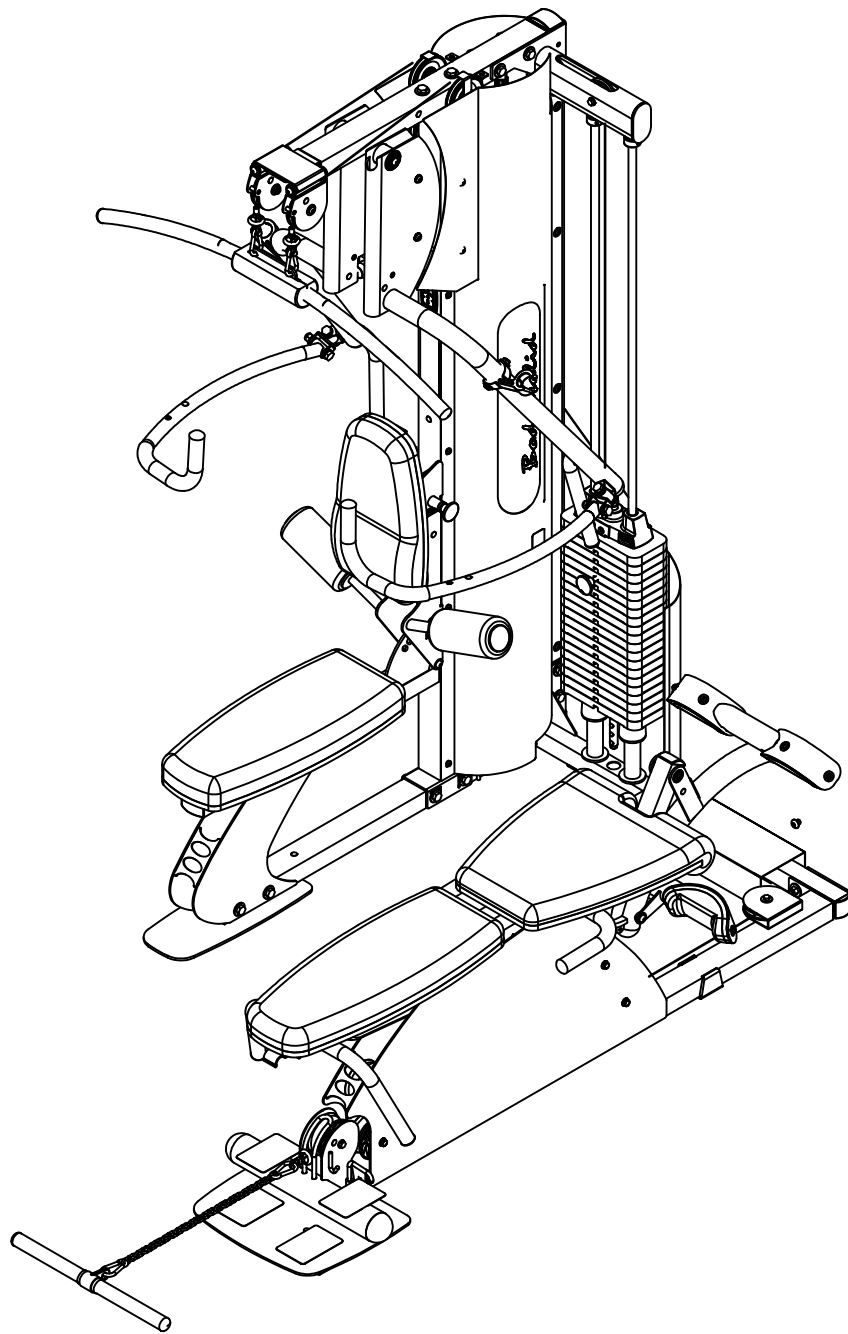


Body-Solid

G81.2

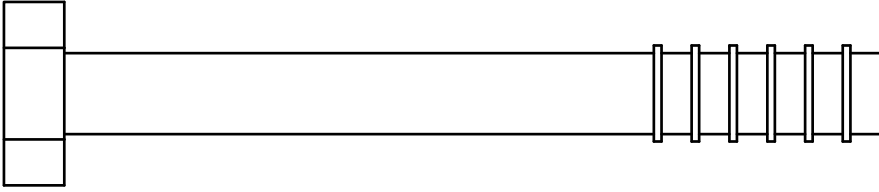


BODY-SOLID, Inc.
1900 S. Des Plaines Ave.
Forest Park, IL 60130 USA
Phone: (708) 427-3555
Fax: (708) 427-3556
www.bodysolid.com

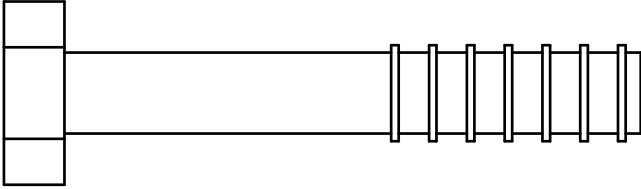
G81.2 OWNER'S MANUAL

G8I ASSEMBLY INSTRUCTIONS

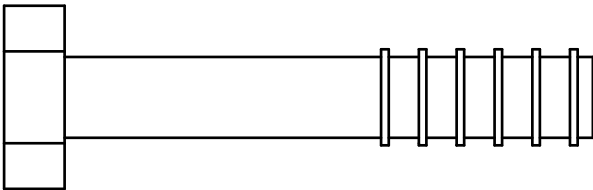
HARDWARE ILLUSTRATION



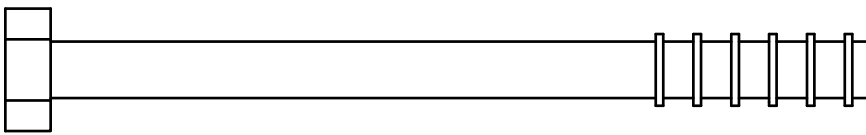
(A1)HEX BOLT 1/2"X4 1/4"L PARTIAL THREAD QTY.10



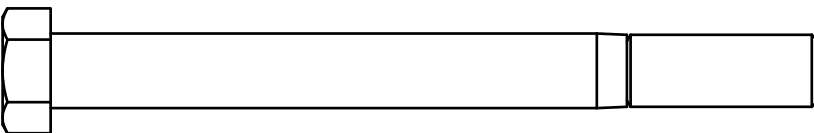
(A2)HEX BOLT 1/2"X3"L PARTIAL THREAD QTY.8



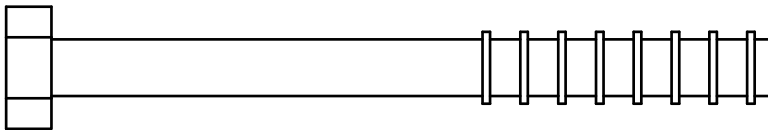
(A3)HEX BOLT 1/2"X2 3/4"L PARTIAL THREAD QTY.1



(A4)HEX BOLT 3/8"X4 1/4"L PARTIAL THREAD QTY.2



(A5)HEX BOLT 3/8"X4"L PARTIAL THREAD QTY.4

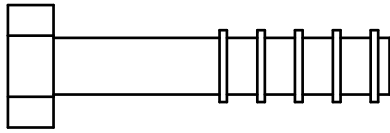


(A6)HEX BOLT 3/8"X3 3/4"L PARTIAL THREAD QTY.1

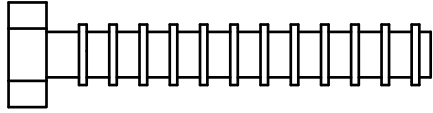


G81 ASSEMBLY INSTRUCTIONS

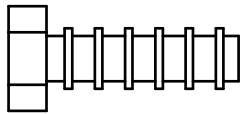
HARDWARE ILLUSTRATION



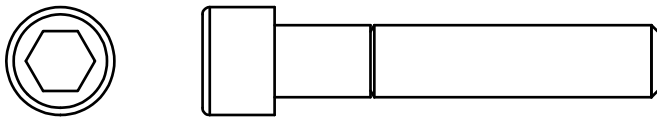
(A7)HEX BOLT 3/8"X1 3/4"L PARTIAL THREAD QTY.7



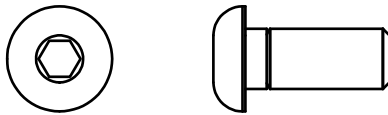
(A8)HEX BOLT 5/16"X2"L PARTIAL THREAD QTY.2



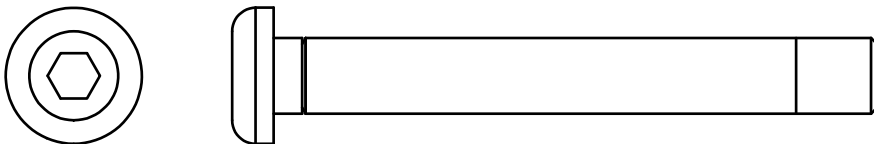
(A9)HEX BOLT 5/16"X1"L PARTIAL THREAD QTY.14



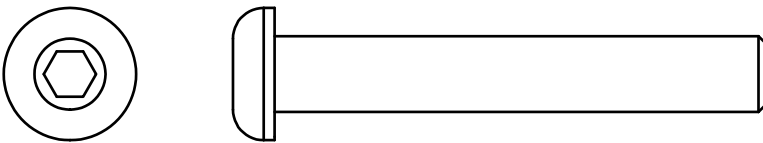
(A10)ROUND ALLEN HEAD 3/8"X2"L PARTIAL THREAD QTY.1



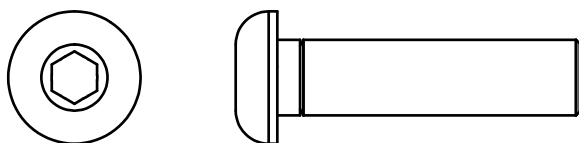
(A11)ROUND ALLEN HEAD 5/16"X3/4"L PARTIAL THREAD QTY.8



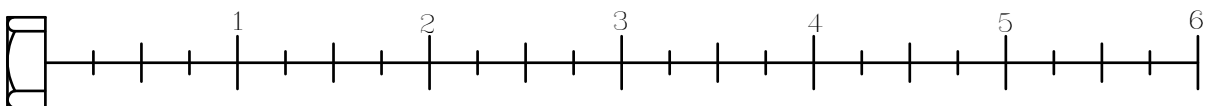
(A12)ROUND ALLEN HEAD M10X80L PARTIAL THREAD QTY.2



(A13)ROUND ALLEN HEAD M10X65L PARTIAL THREAD QTY.4

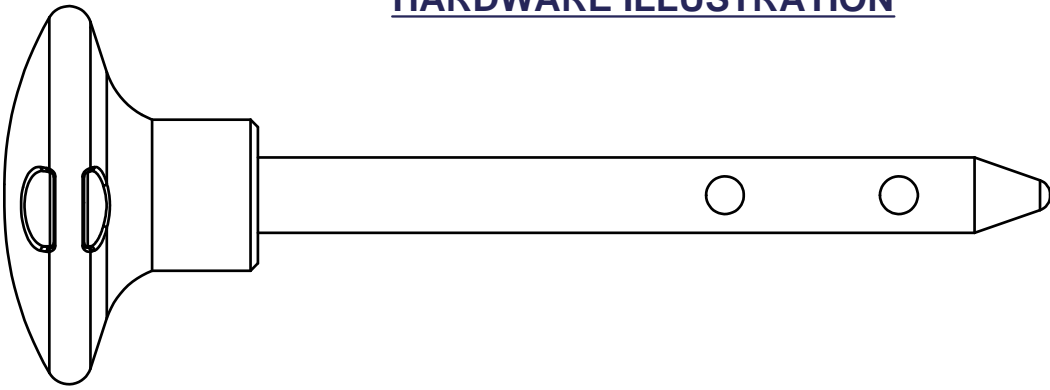


(A14)ROUND ALLEN HEAD M10X40L PARTIAL THREAD QTY.2



G81 ASSEMBLY INSTRUCTIONS

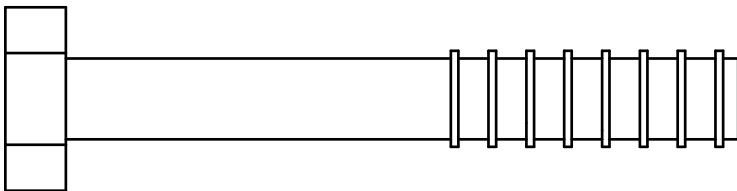
HARDWARE ILLUSTRATION



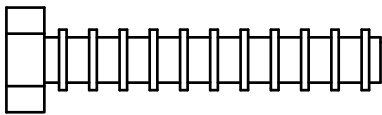
(A15)10LB PIN (8250-071) QTY.1



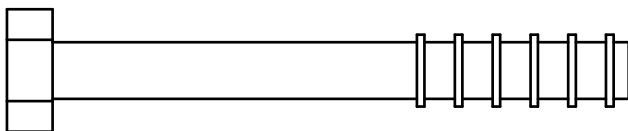
(A16)Steel Chain(8820-002) QTY.1



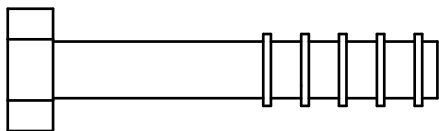
(A17)HEX BOLT 1/2"X3 1/2"L PARTIAL THREAD QTY.2



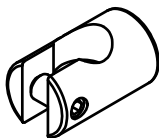
(A18)HEX BOLT 5/16"X1 3/4"L PARTIAL THREAD QTY.1



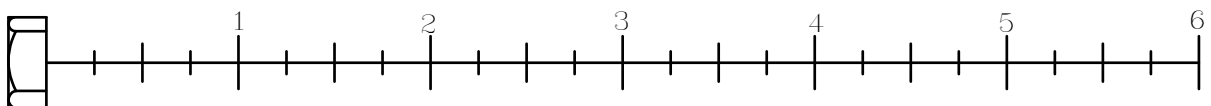
(A19)HEX BOLT 3/8"X3"L PARTIAL THREAD QTY.2



(A20)HEX BOLT 3/8"x2"L PARTIAL THREAD QTY.2

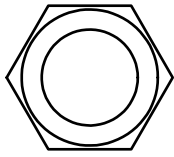
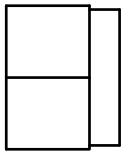


(A21)Firm Sheath(8890-010) QTY.1

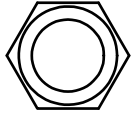
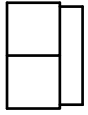


G81 ASSEMBLY INSTRUCTIONS

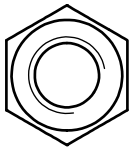
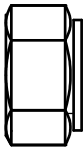
HARDWARE ILLUSTRATION



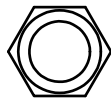
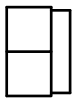
(B1) NYLON LOCK NUT 1/2" QTY.19



(B2) NYLON LOCK NUT 3/8" QTY.20



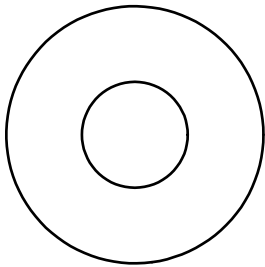
(B3) NYLON LOCK NUT M10 QTY.9



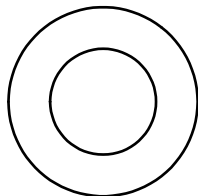
(B4) NYLON LOCK NUT M10 QTY.1



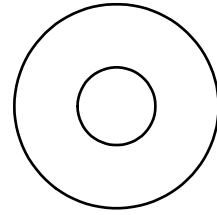
(B5) NUT M4 QTY.2



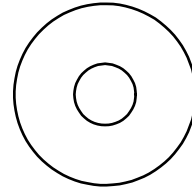
(C1) 1/2"(I.D.) FLAT WASHER Ø34 QTY.33



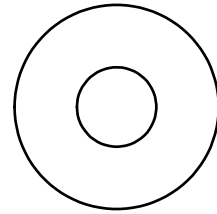
(C2) 1/2"(I.D.) FLAT WASHER Ø25 QTY.8



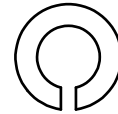
(C3) 3/8"(I.D.) FLAT WASHER Ø27 QTY.21



(C4) 5/16"(I.D.) FLAT WASHER Ø24 QTY.26



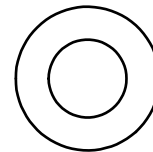
(C5) M10(I.D.) FLAT WASHER Ø27 QTY.12



(C6) 5/16" SPRING WASHER QTY.24



(C7) M4 Washer QTY.4



(C8) 3/8"(I.D.) FLAT WASHER Ø17 QTY.2



1

2

3

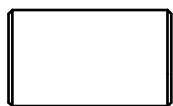
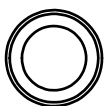
4

5

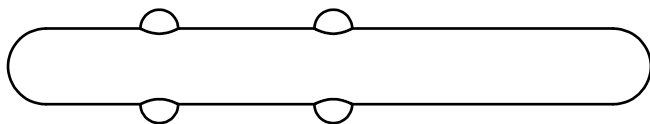
6

G8I ASSEMBLY INSTRUCTIONS

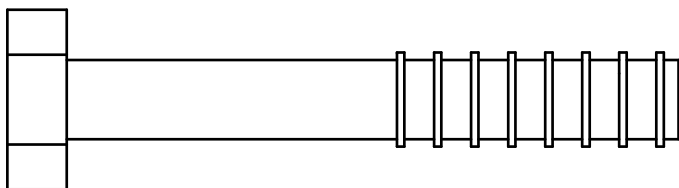
HARDWARE ILLUSTRATION



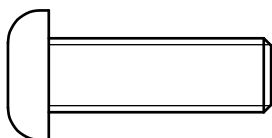
(A22) $\text{\O}1/2" \times 8.5 \times 21.5\text{L}$ Sleeve QTY.1



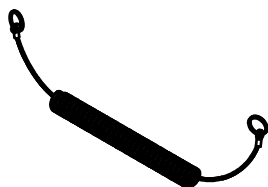
(A23) $\text{\O}10 \times 85\text{L}$ PIN (8250-023) QTY.1



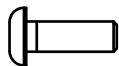
(A24) HEX BOLT $1/2" \times 3 1/4" \text{L}$ PARTIAL THREAD QTY.1



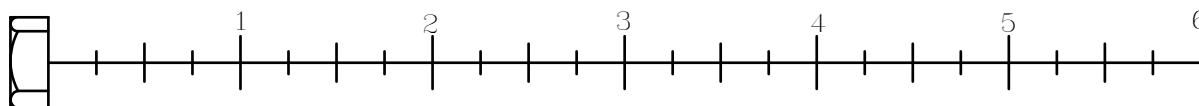
(A25) ROUND ALLEN HEAD $M10 \times 30\text{L}$ PARTIAL THREAD QTY.1



(A26) Elastic Belt (F920003) QTY.1


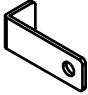
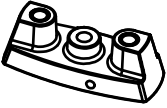



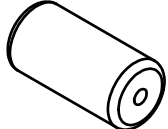















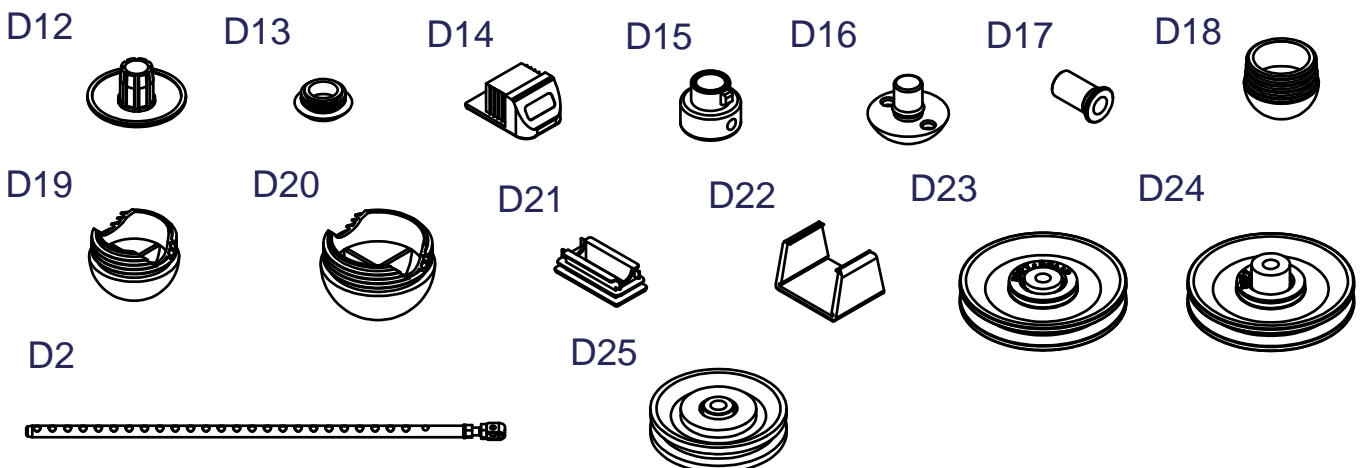
(A27) ROUND ALLEN HEAD $M4 \times 12\text{L}$ PARTIAL THREAD QTY.2



G8I ASSEMBLY INSTRUCTIONS

HARDWARE ILLUSTRATION

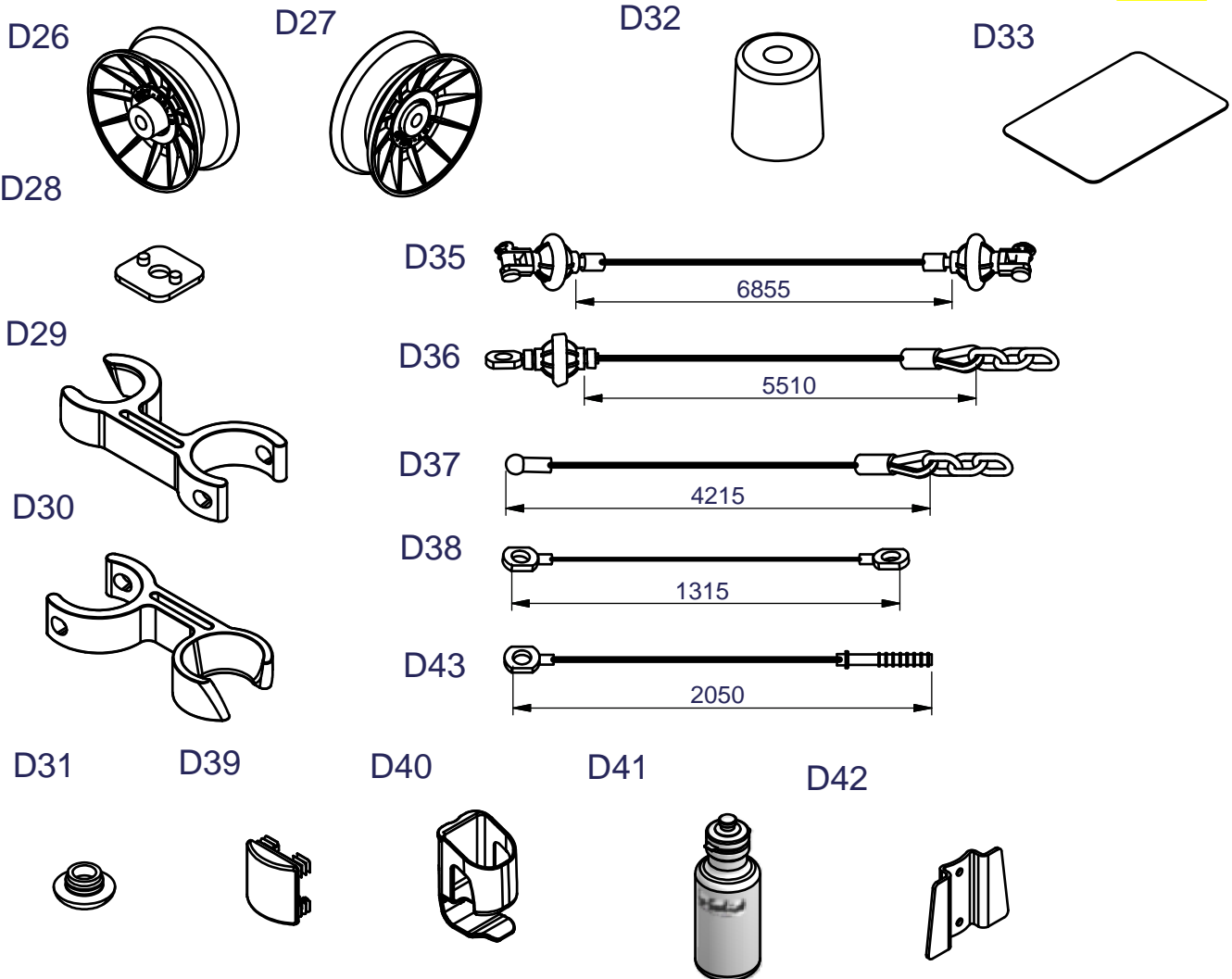
- D1  D1. ϕ 3/4"X8L STEEL BUSHING (8110-014)-----[2PCS]
- D3  D2. WEIGHT SELECTOR BAR (8210-070A)-----[1PCS]
- D4  D3. PULLEY WHEEL BLOCK (8331-017)-----[7PCS]
- D4  D4. TOP PLATE (8400-006)-----[1PCS]
- D5  D5. ϕ 16X19.5 STEEL BUSHING (8530-015)-----[2PCS]
- D6  D6. ϕ 16X21.5 STEEL BUSHING (8530-010)-----[14PCS]
- D7  D7. ϕ 8 SPRING SNAP LINK (8810-001)-----[5PCS]
- D8  D8. ϕ 4"X8" FOAM ROLLER (9161-032)-----[2PCS]
- D9  D9. 2"X2"X1.8t END CAP (9211-087)-----[1PCS]
- D10  D10. 2"X2"X2.5t END CAP (9211-006)-----[2PCS]
- D11  D11. 2"X3" END CAP (9211-084)-----[2PCS]
- D6  D12. ϕ 1" ROUND END CAP (9211-022)-----[2PCS]
- D7  D13. ϕ 1 1/2" ROUND END CAP (9211-023)-----[6PCS]
- D8  D14. 2"X3" FOOT CAP (9211-026)-----[1PCS]
- D9  D15. ϕ 3/4" SHAFT COLLAR (9211-046)-----[2PCS]
- D10  D16. ϕ 21.5 ROUND END CAP (9211-060)-----[1PCS]
- D11  D17. ϕ 16X27 STEEL BUSHING (8530-011)-----[2PCS]
- D12  D18. ϕ 2" ROUND END CAP (9211-074)-----[2PCS]
- D13  D19. ϕ 60 ROUND END CAP (9211-075)-----[2PCS]
- D14  D20. ϕ 3" ROUND END CAP (9211-076)-----[2PCS]
- D15 D21. 30X60 END CAP (9211-078)-----[2PCS]
- D16 D22. 2"X3" RUBBER DOUNT (9212-011)-----[1PCS]
- D17 D23. ϕ 4 1/4" PULLEY (9213-002C)-----[22PCS]
- D18 D24. ϕ 4 1/4" PULLEY (9213-002D)-----[2PCS]
- D19 D25. ϕ 3 1/2" PULLEY (9213-011A)-----[1PCS]



G8I ASSEMBLY INSTRUCTIONS

HARDWARE ILLUSTRATION

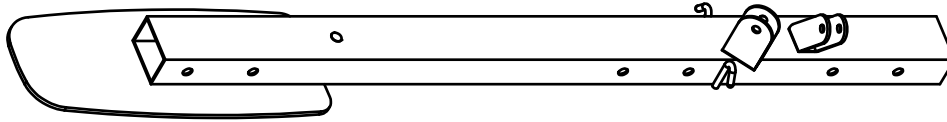
| | | | |
|------|-------------------------------------|-------|---------------|
| D26. | ø110X50 PULLEY (9213-022C) | ----- | [2PCS] |
| D27. | ø110X50 PULLEY (9213-022B) | ----- | [1PCS] |
| D28. | 2"X2" RUBBER CANE CAP (9214-002) | ----- | [2PCS] |
| D29. | ø51Xø38 FASTENING HOLDER (9219-003) | ----- | [1PCS] |
| D30. | ø51Xø38 FASTENING HOLDER (9219-004) | ----- | [1PCS] |
| D31. | ø1" ROUND END CAP (9260-021) | ----- | [6PCS] |
| D32. | ø65X70L RUBBER DOUNT (9310-049) | ----- | [2PCS] |
| D33. | 95X140mm NO-SLIP TAPE (9310-035) | ----- | [4PCS] |
| D35. | 6855mm STEEL CABLE | ----- | [1PCS] |
| D36. | 5510mm STEEL CABLE | ----- | [1PCS] |
| D37. | 4215mm STEEL CABLE | ----- | [1PCS] |
| D38. | 1315mm STEEL CABLE | ----- | [1PCS] |
| D39. | 2"X2"X2.5t END CAP (9211-088) | ----- | [2PCS] |
| D40. | BOTTLE HOLDER (9260-086) | ----- | [1PCS] |
| D41. | BOTTLE (9260-107) | ----- | [1PCS] |
| D42. | IMMOBILE BOARD (8388-025) | ----- | [1PCS] |
| D43. | 2050mm STEEL CABLE | ----- | [1PCS] |



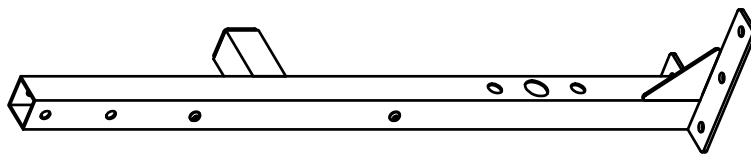
G8I ASSEMBLY INSTRUCTIONS

PARTS ILLUSTRATION SHEET

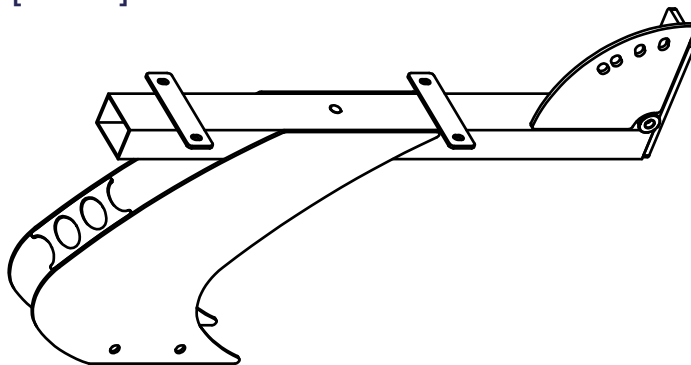
A1 [1PCS]



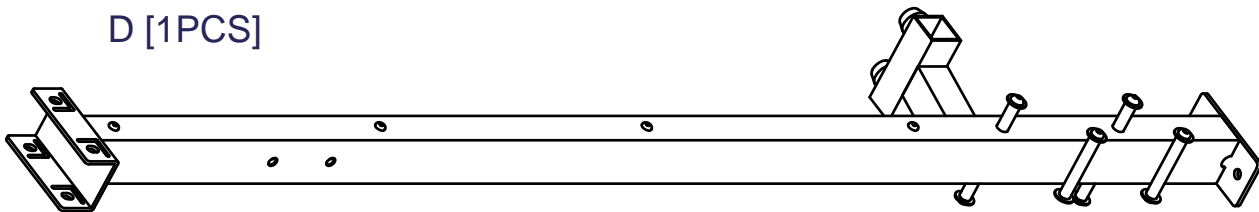
B [1PCS]



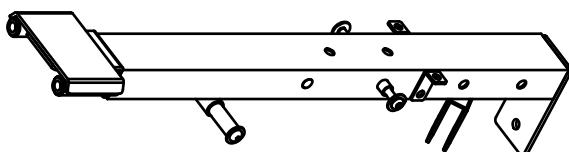
C1[1PCS]



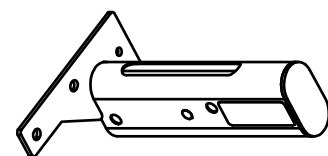
D [1PCS]



E1 [1PCS]



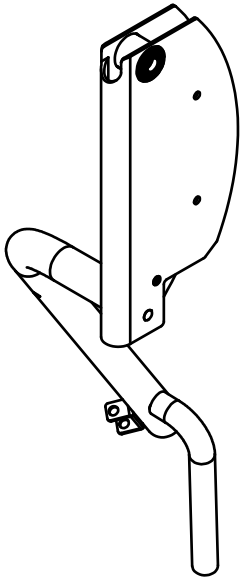
F [1PCS]



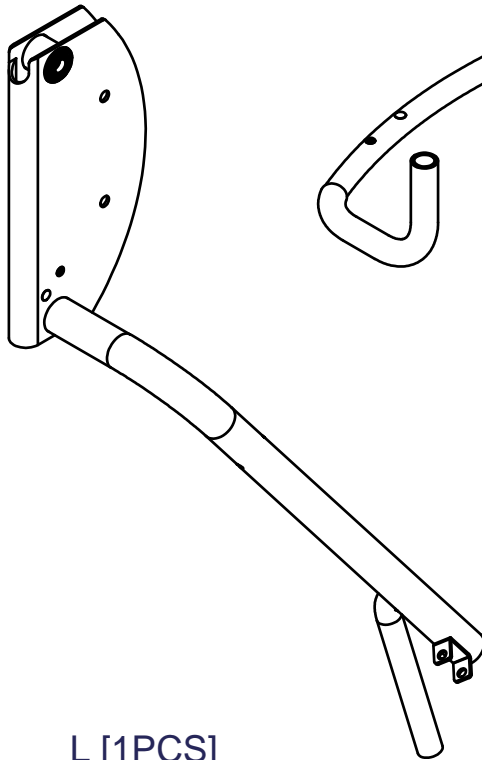
G8I ASSEMBLY INSTRUCTIONS

PARTS ILLUSTRATION SHEET

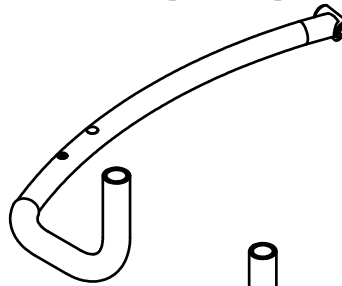
H [1PCS]



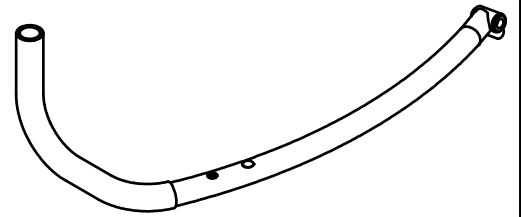
G [1PCS]



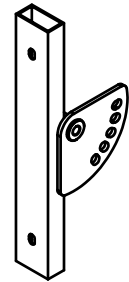
I [1PCS]



J [1PCS]



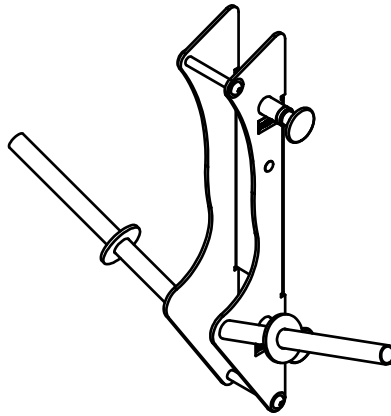
M [1PCS]



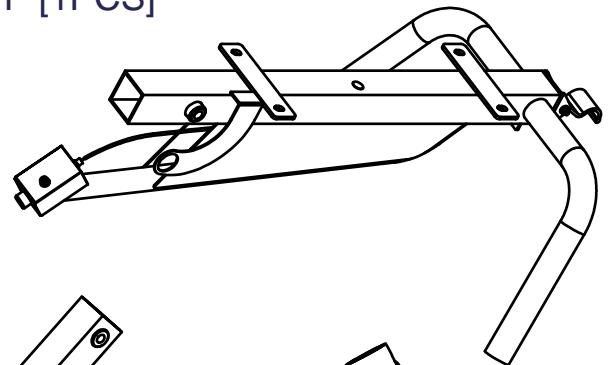
K [2PCS]



L [1PCS]



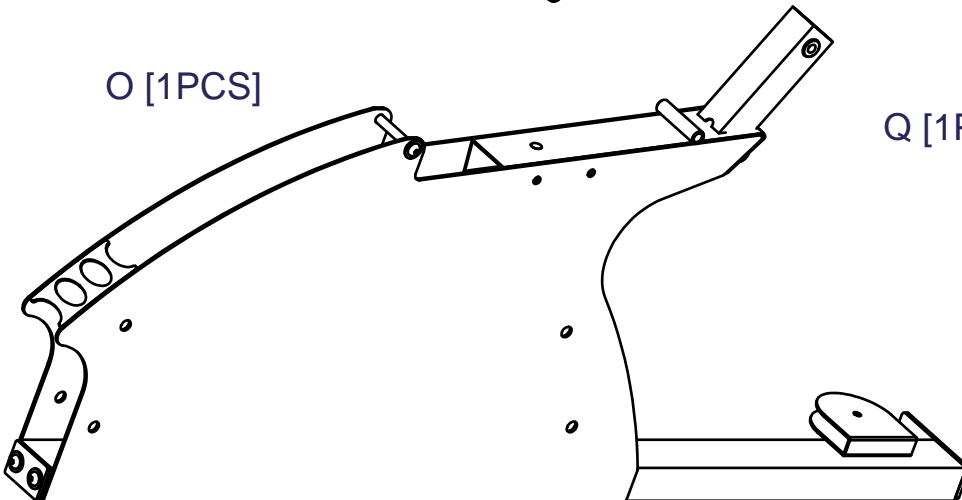
P [1PCS]



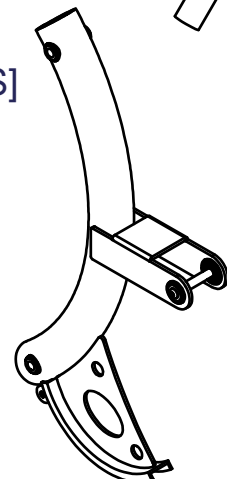
N [2PCS]



O [1PCS]



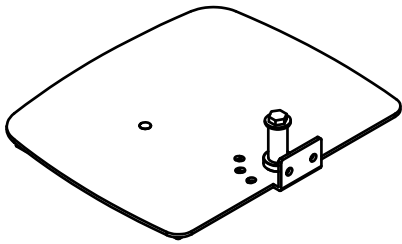
Q [1PCS]



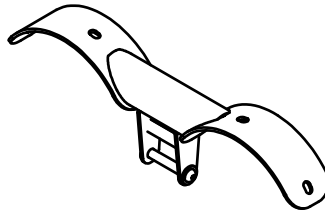
G8I ASSEMBLY INSTRUCTIONS

PARTS ILLUSTRATION SHEET

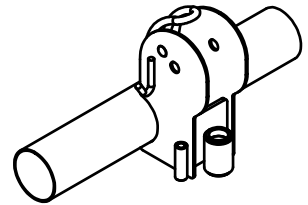
R [1PCS]



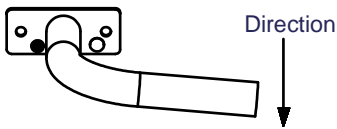
S [2PCS]



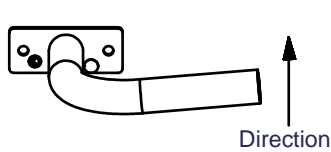
T [1PCS]



U [1PCS]



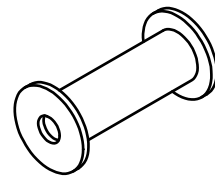
V [1PCS]



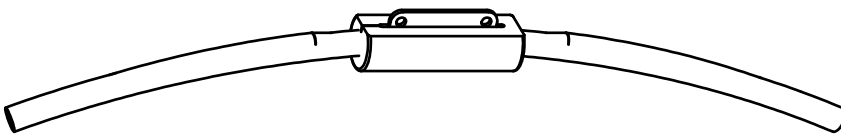
W1 [1PCS]



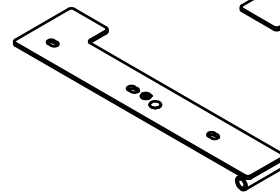
Y [2PCS]



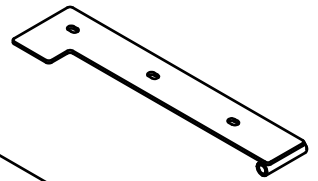
Z [1PCS]



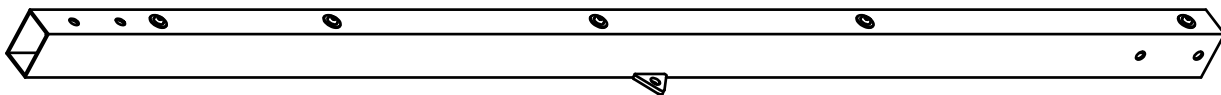
AA [1PCS]



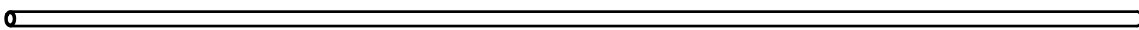
X [1PCS]



AB [1PCS]



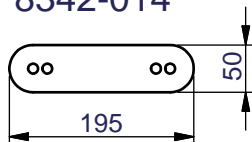
AC [2PCS]



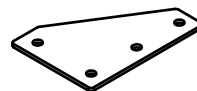
AD [1PCS]



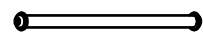
AE [4PCS]
8342-014



AF [1PCS]
8360-055



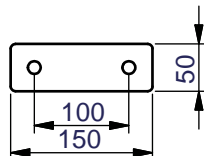
AG [1PCS]
8210-065



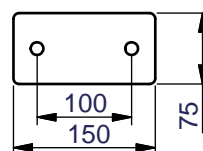
AH [1PCS]
8240-042



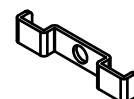
AI [1PCS]
8312-062



AU [1PCS]
8313-082



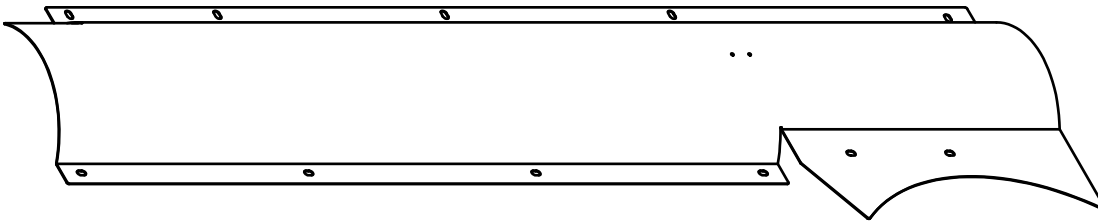
AV [1PCS]
8350-042



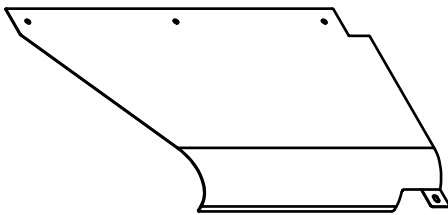
G8I ASSEMBLY INSTRUCTIONS

PARTS ILLUSTRATION SHEET

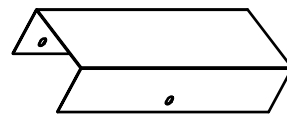
AM [1PCS]
8380-030



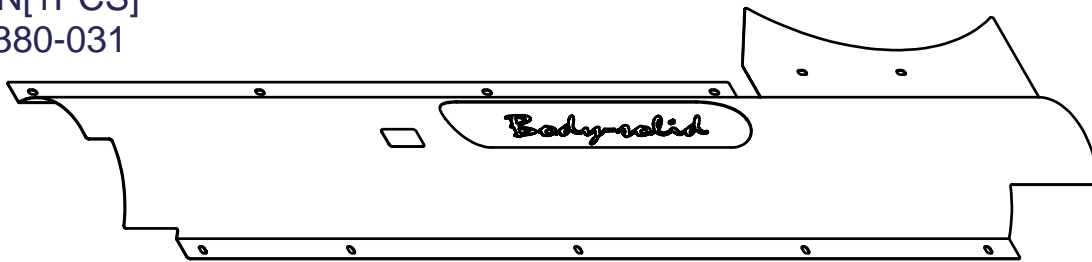
AJ [1PCS]
8380-025



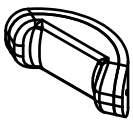
AL [1PCS]
8380-027



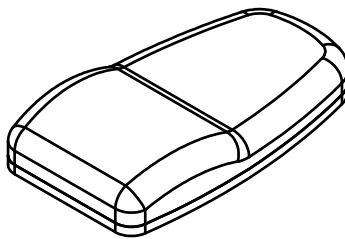
AN[1PCS]
8380-031



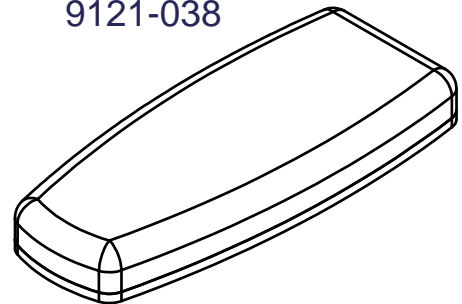
AP[4PCS]
9133-007



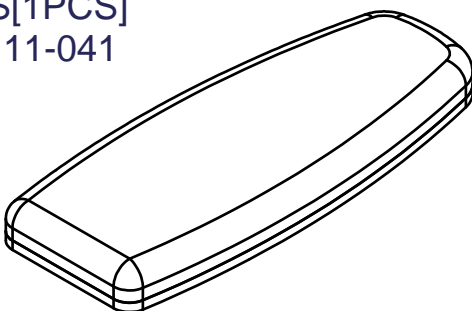
AQ[1PCS]
9111-040



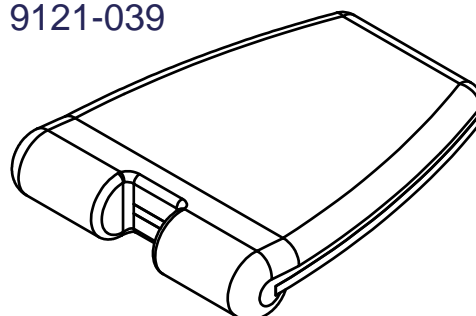
AR[1PCS]
9121-038



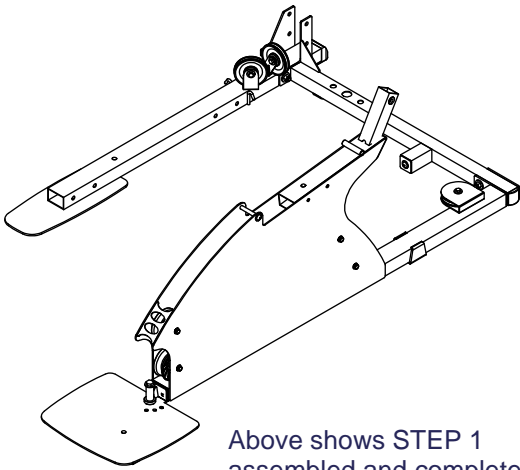
AS[1PCS]
9111-041



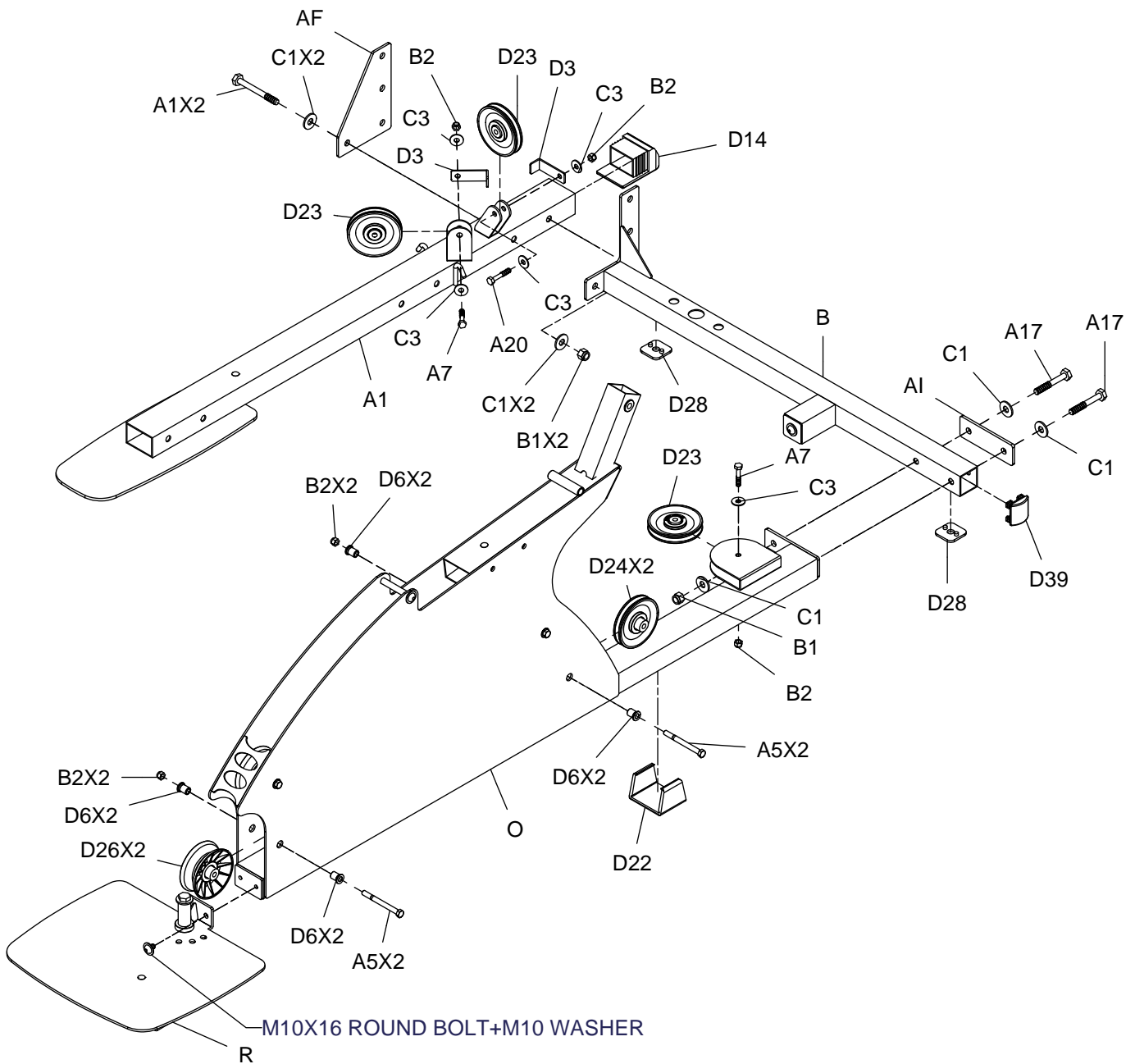
AT[1PCS]
9121-039



G8I ASSEMBLY INSTRUCTIONS

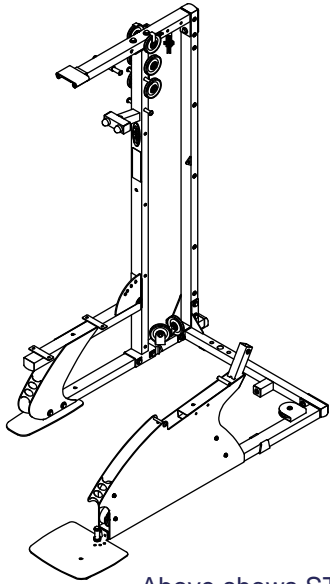


Above shows STEP 1 assembled and completed

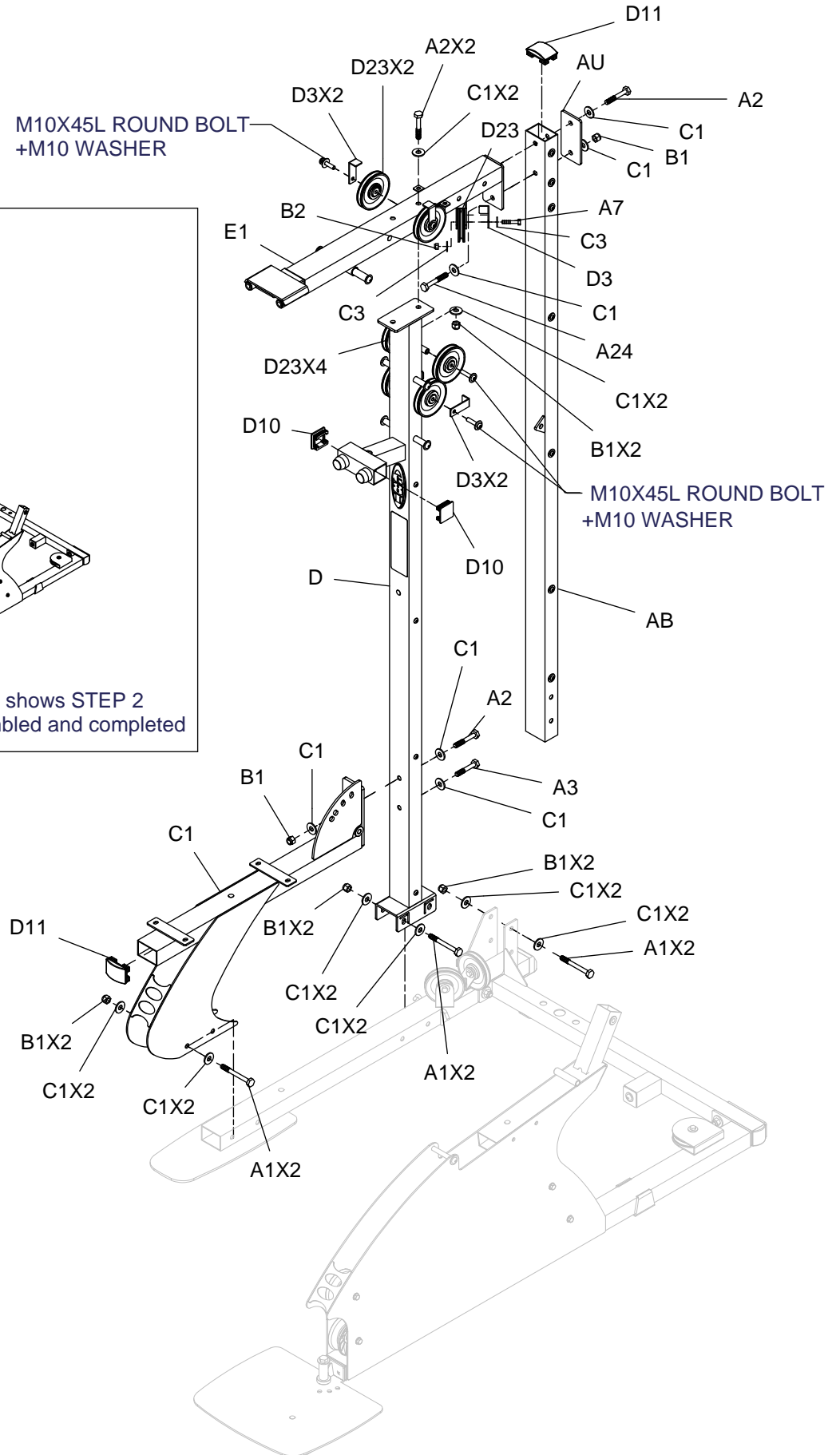


G8I ASSEMBLY INSTRUCTIONS

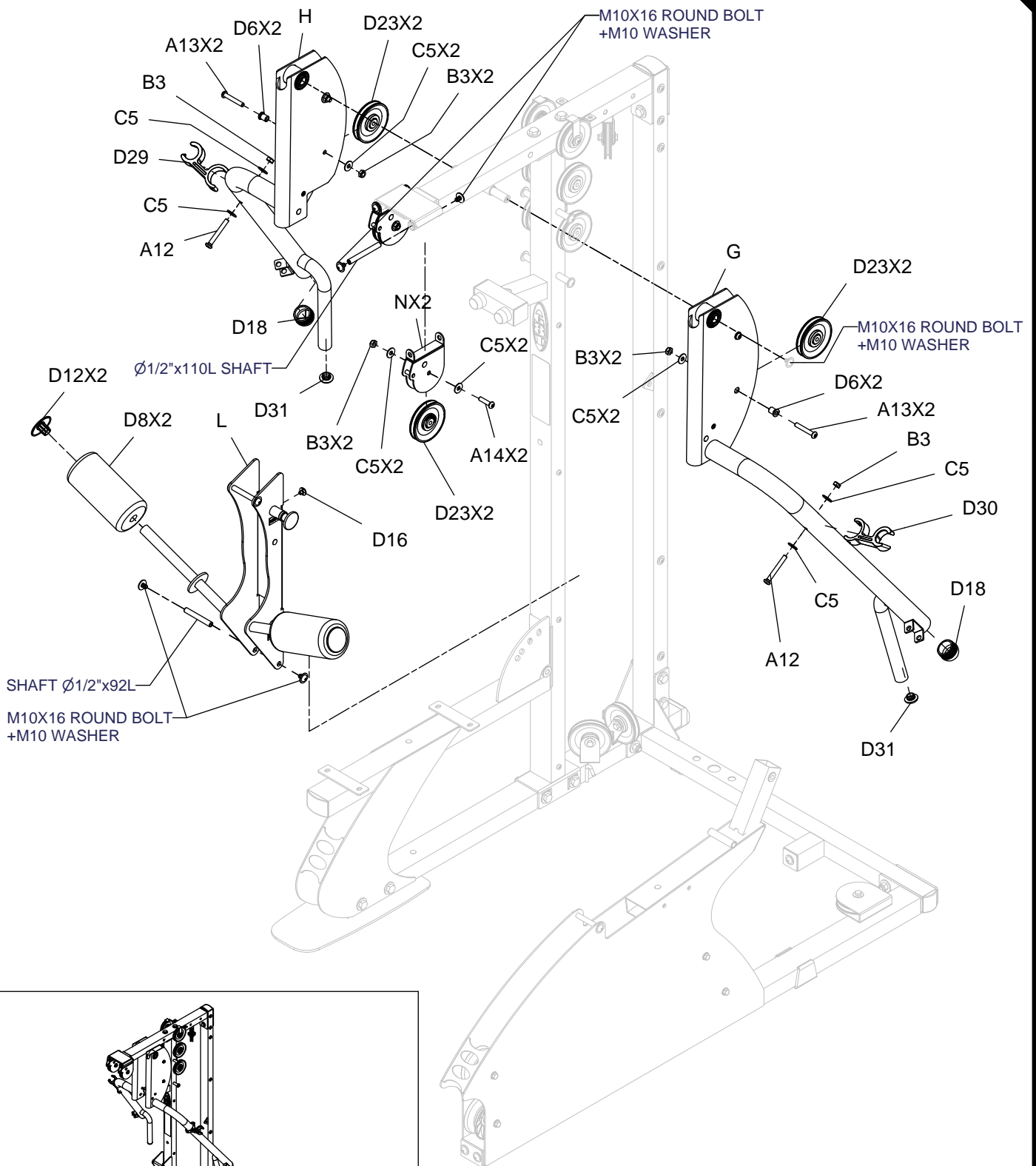
M10X45L ROUND BOLT
+M10 WASHER



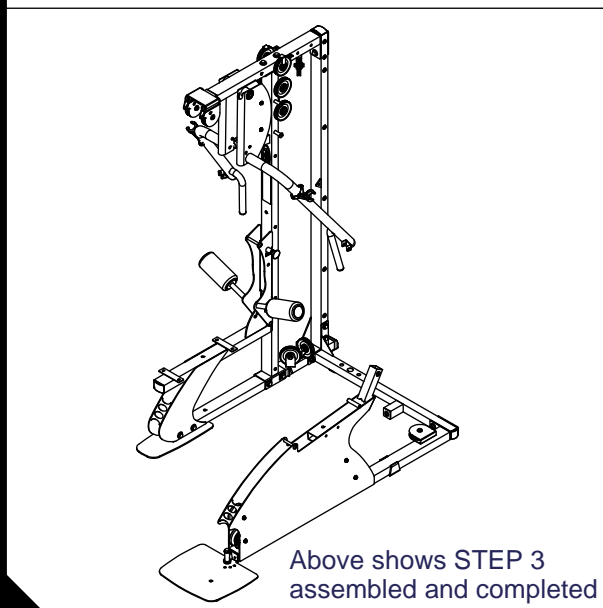
Above shows STEP 2
assembled and completed



G81 ASSEMBLY INSTRUCTIONS

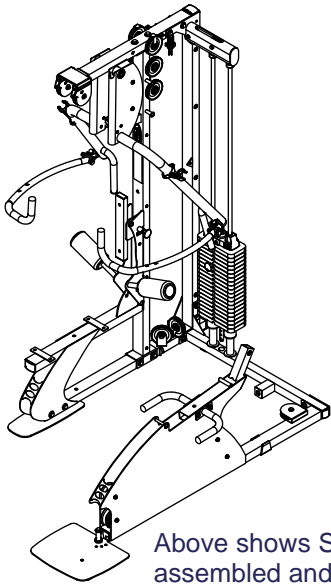


SHAFT $\text{Ø}1/2 \times 92L$
 M10X16 ROUND BOLT
 +M10 WASHER

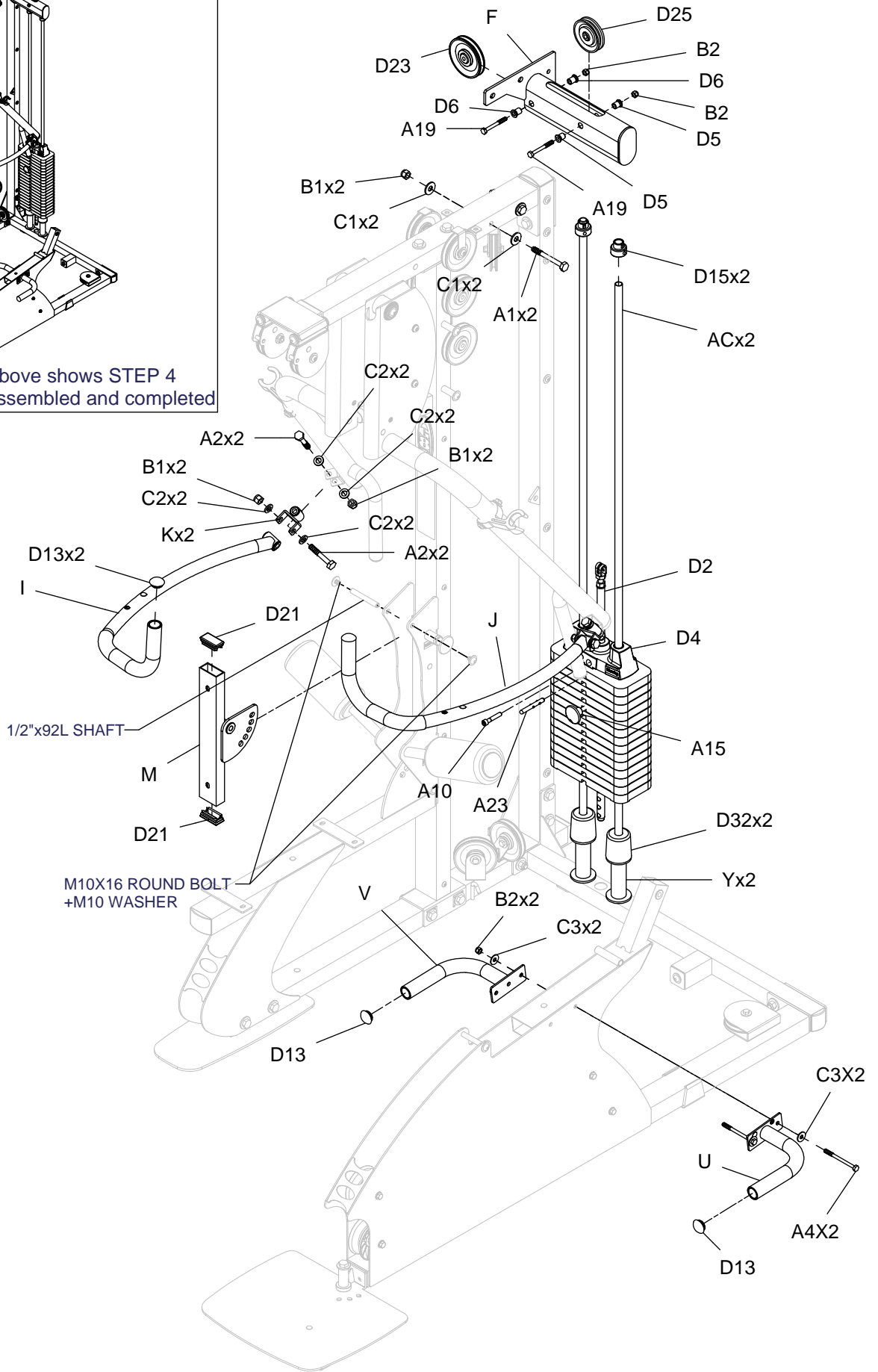


Above shows STEP 3
 assembled and completed

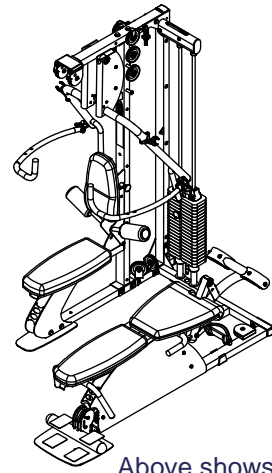
G8I ASSEMBLY INSTRUCTIONS



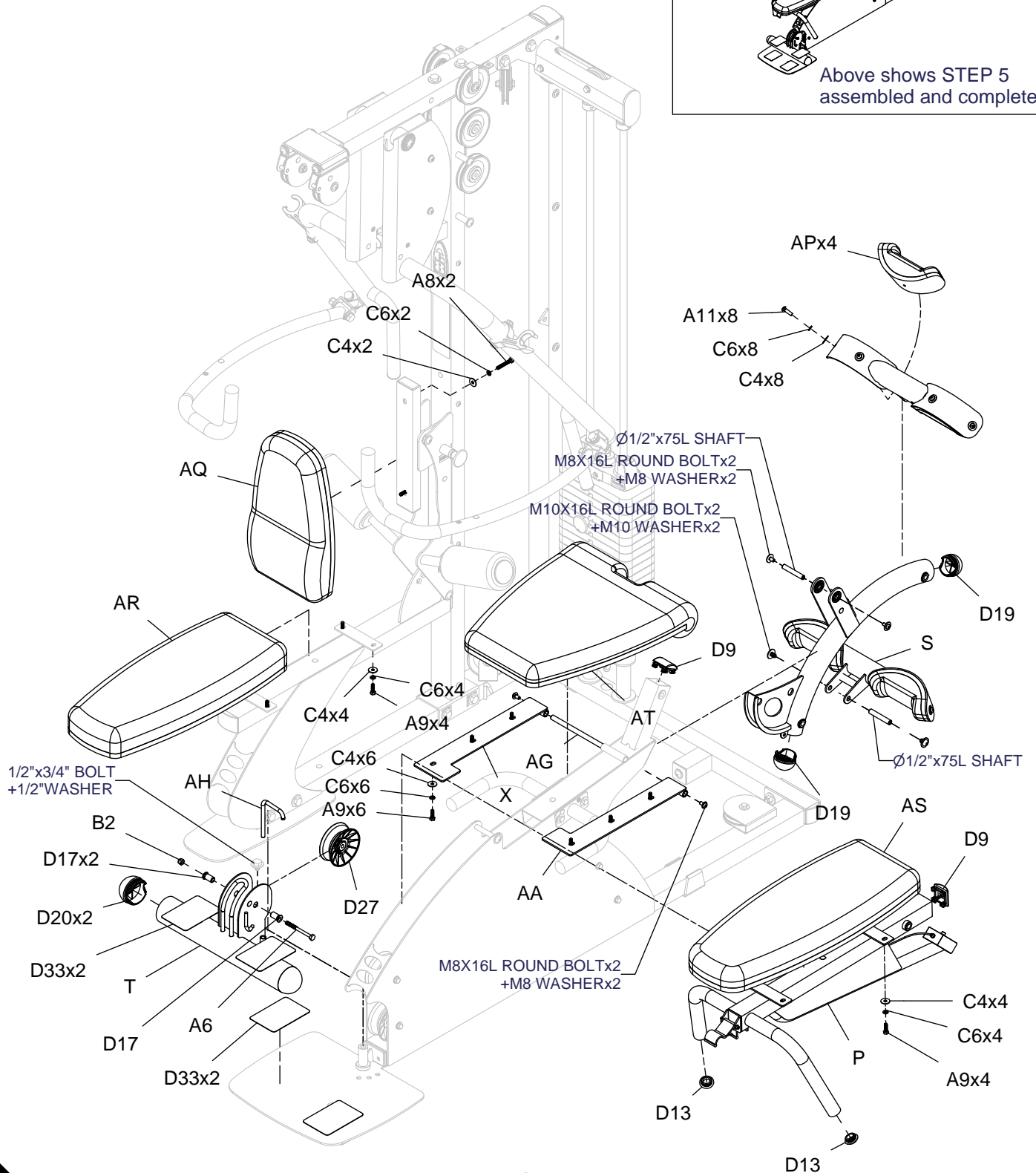
Above shows STEP 4 assembled and completed



G8I ASSEMBLY INSTRUCTIONS

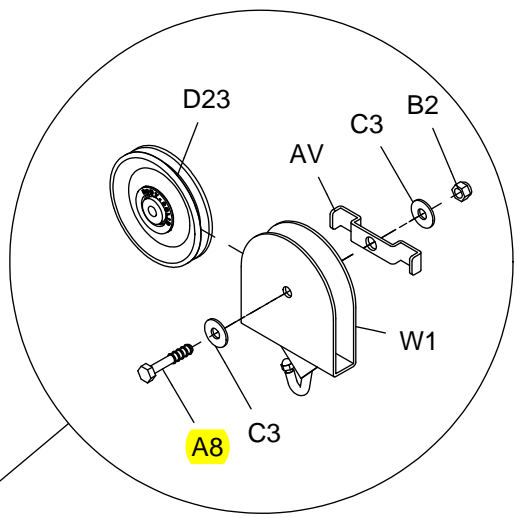
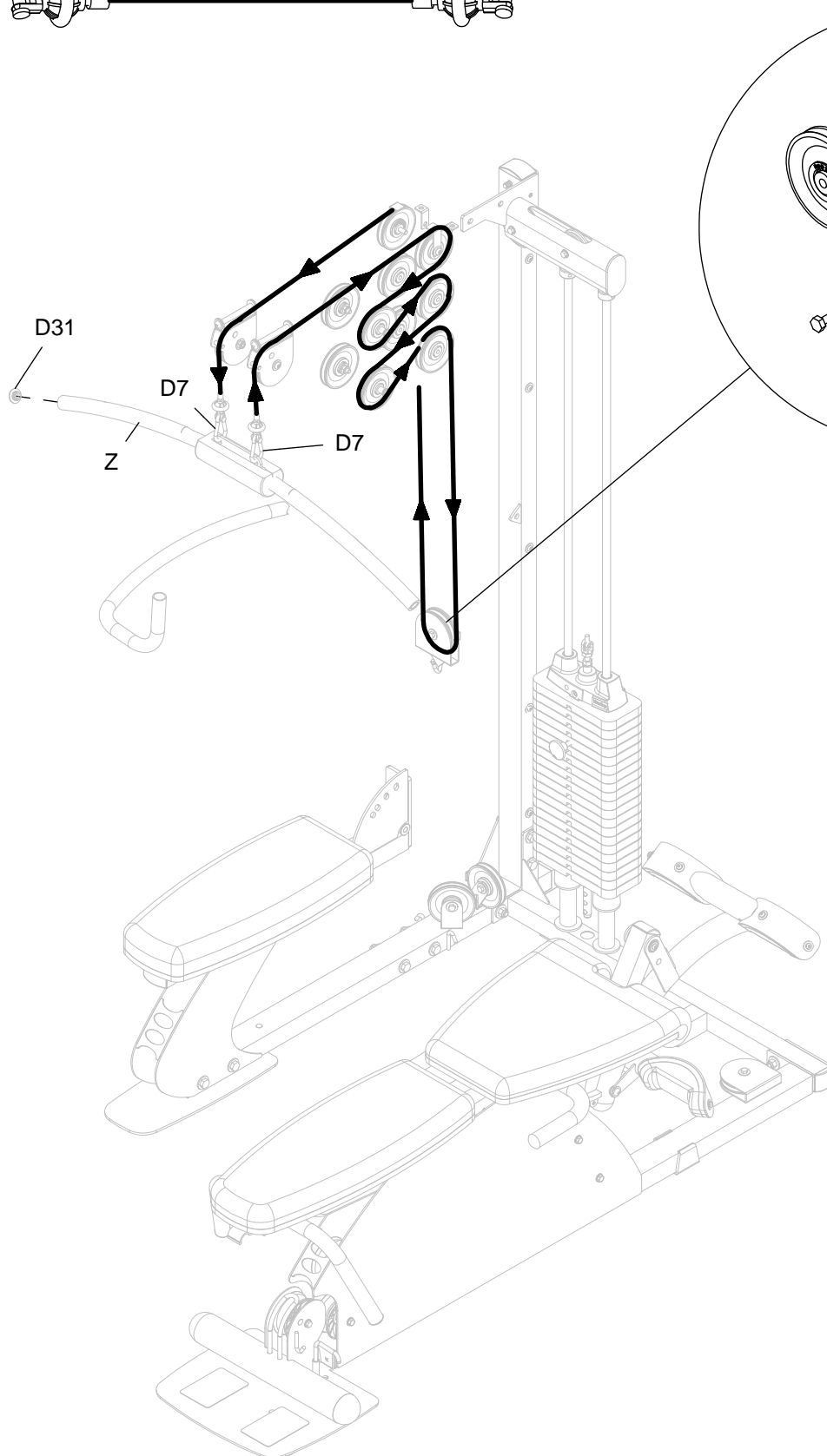
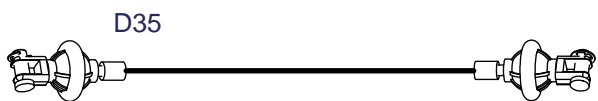


Above shows STEP 5 assembled and completed



G81 ASSEMBLY INSTRUCTIONS

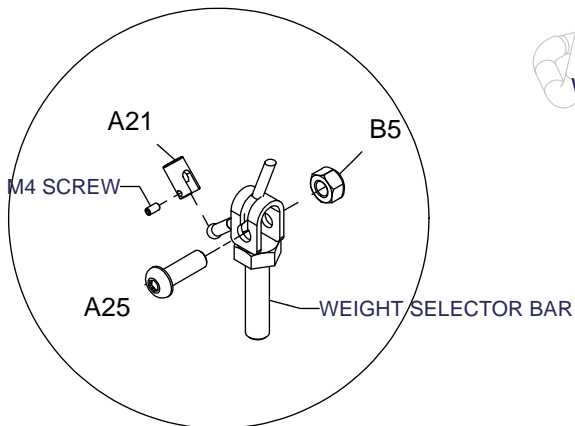
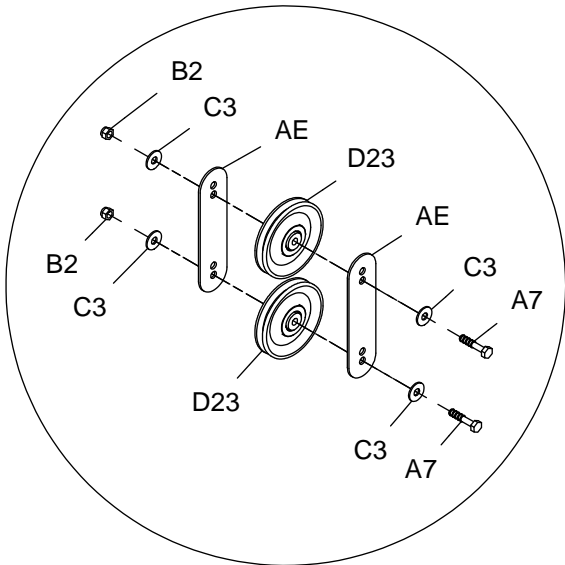
Wire Rope Illustration 1



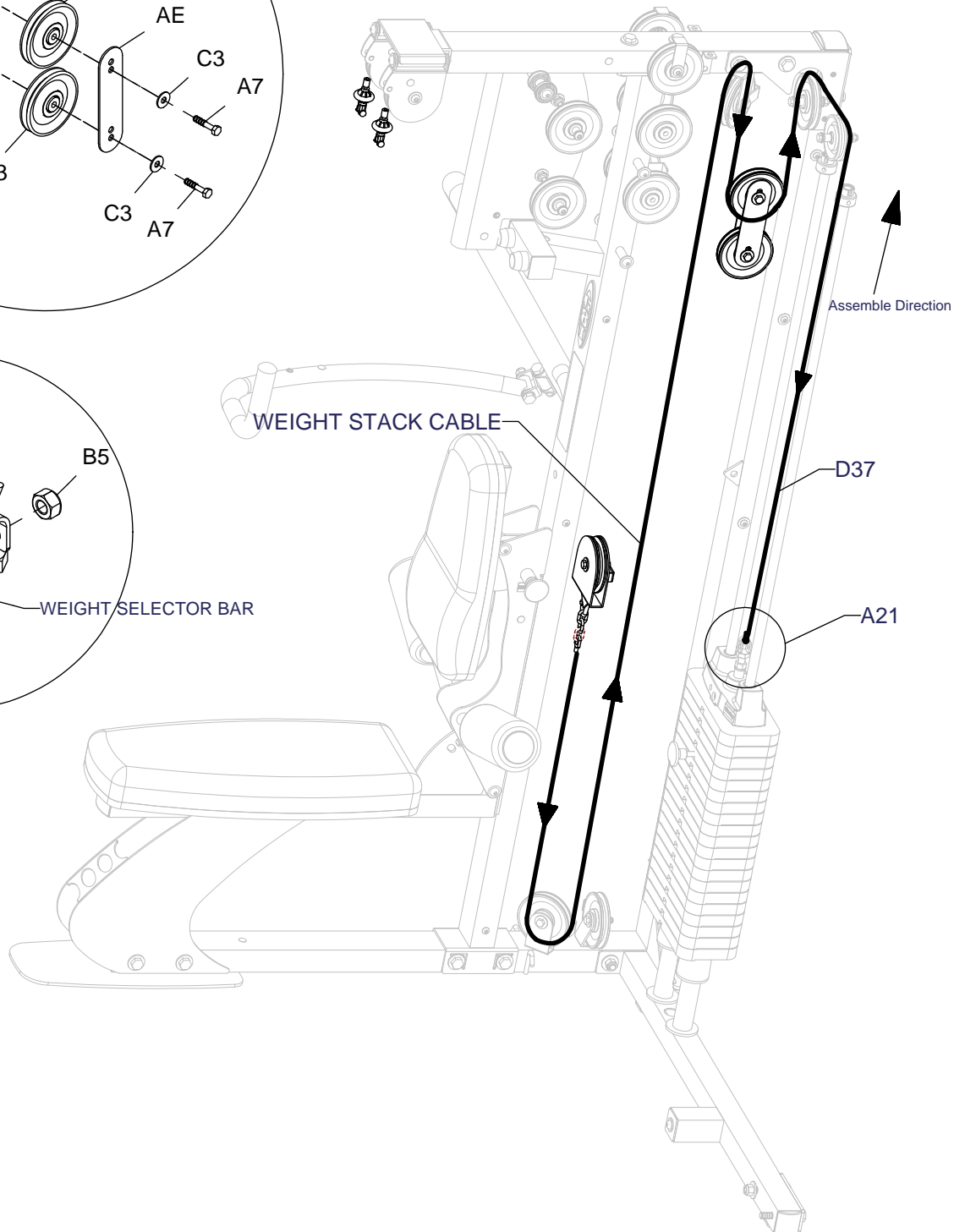
G81 ASSEMBLY INSTRUCTIONS

Wire Rope Illustration 2

D37



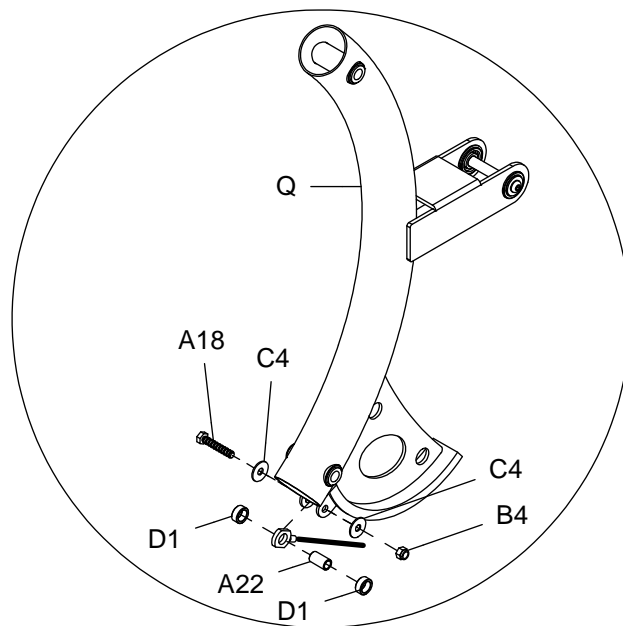
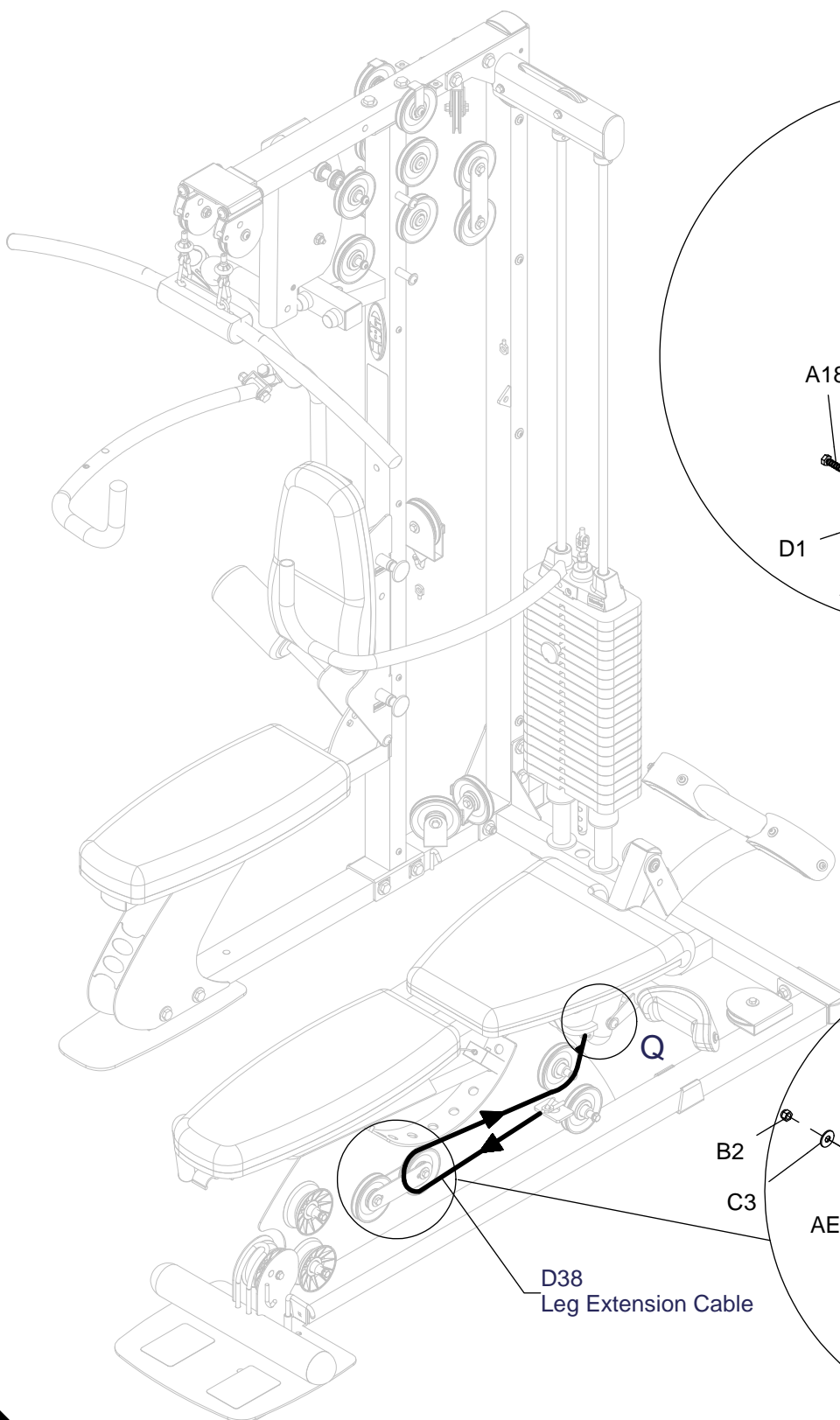
A21 VIEW



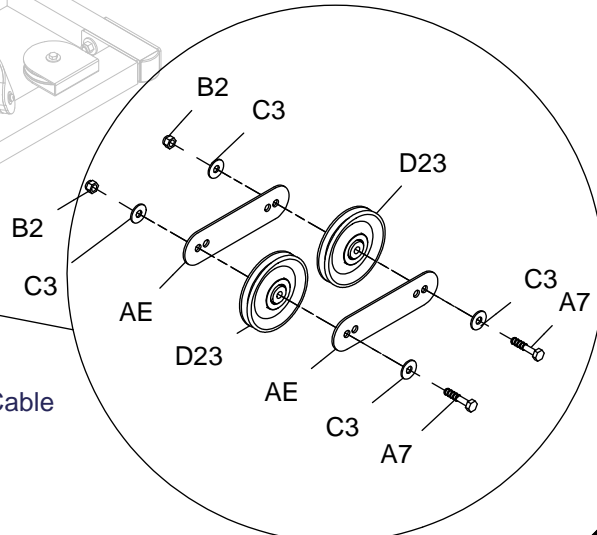
G8I ASSEMBLY INSTRUCTIONS

Wire Rope Illustration 3

D38



Q VIEW

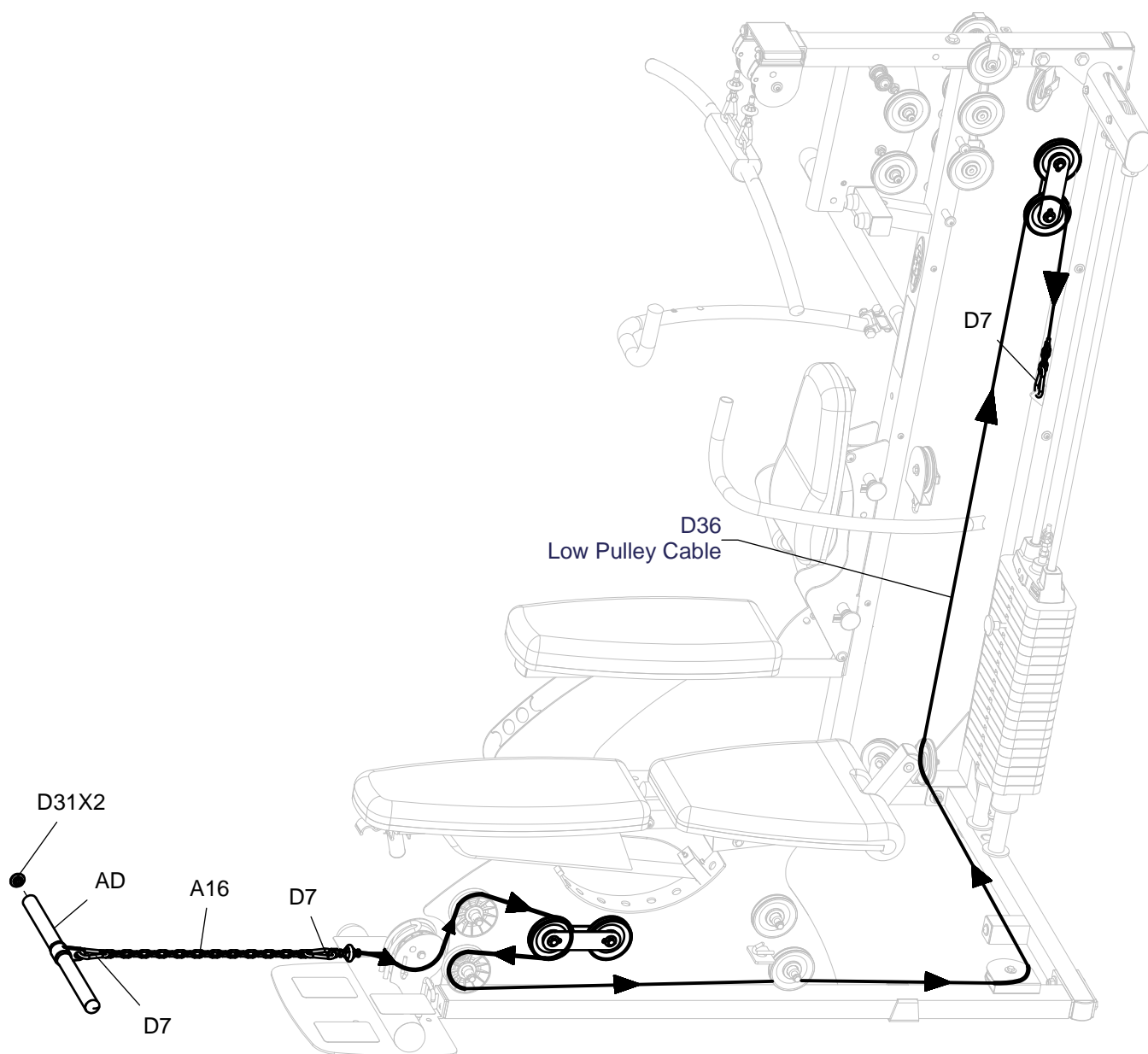


D38
Leg Extension Cable

G81 ASSEMBLY INSTRUCTIONS

Wire Rope Illustration 4

D36



G8I ASSEMBLY INSTRUCTIONS

